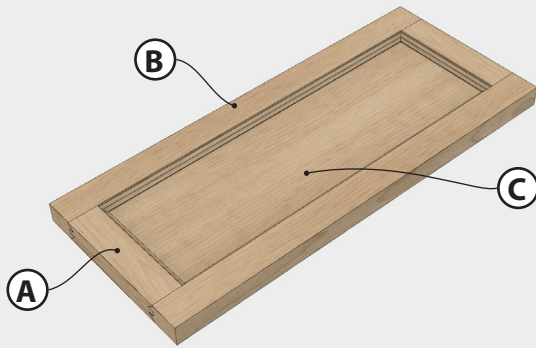




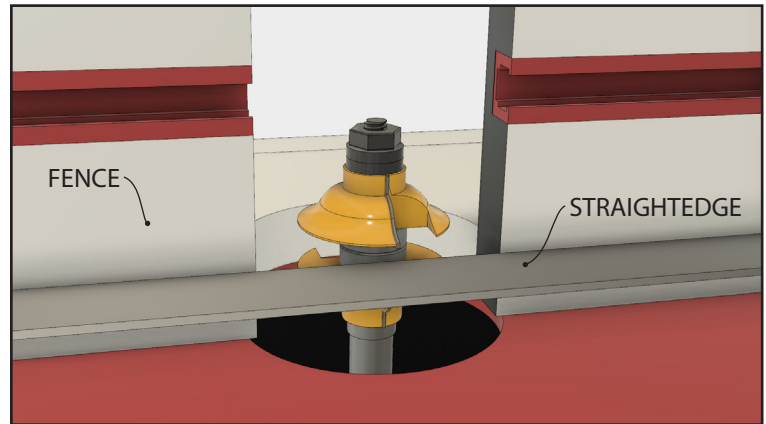
Build your own solid wood doors between 1-3/8" and 1-3/4" thick with the three-piece entry door router bit set. Make standard cope-and-stick type doors, or use the extra bit to produce an extended tenon for additional strength.

## DOOR LEGEND

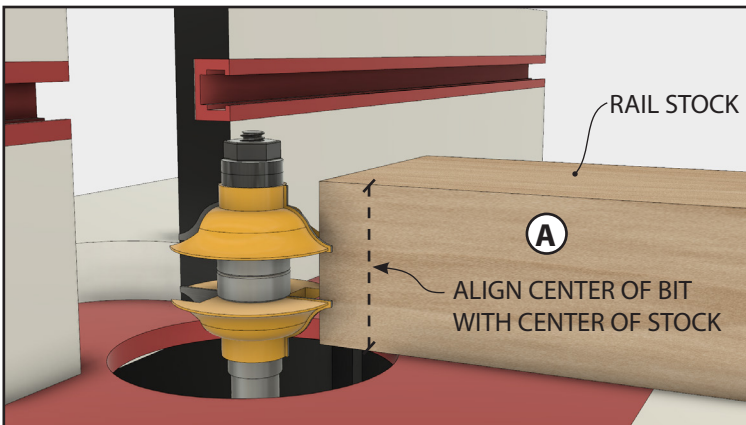
- A) RAILS
- B) STILES
- C) PANEL



## Step 2: Set the fence.



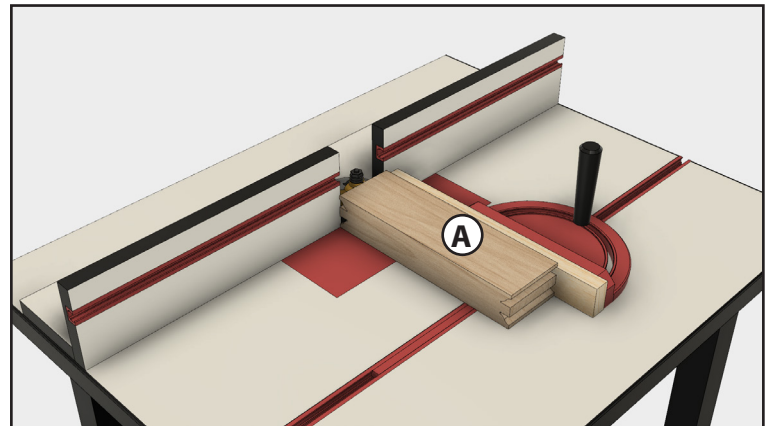
## Step 1: Set bit height.



Secure the coping bit in your router table and adjust the height until the center of the bit is aligned with the center of your stock's thickness.

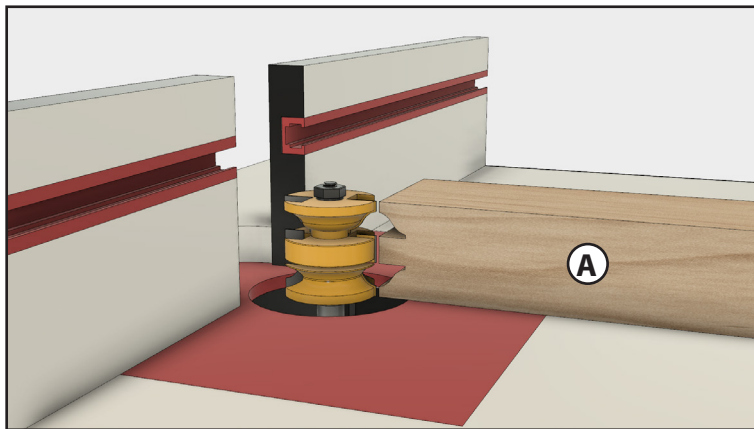
Use a straightedge to set the fence flush with the router bit's bearings. Place the straightedge against the bit and pull the fence forward until it contacts the straightedge. Lock the fence in place.

## Step 3: Cope the ends of the rails.



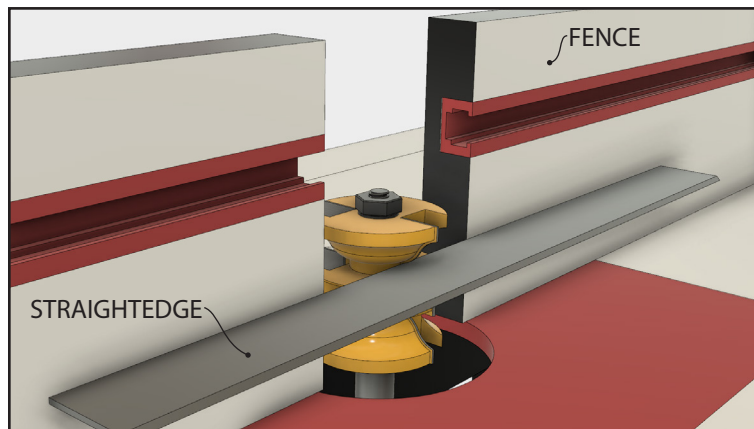
Use a miter gauge with a backer block to cope the ends of your rails. You can route a test piece first and make adjustments to the bit height if necessary. Do not remove the coping bit until you have routed both ends of every rail in your project.

### Step 4: Install the profile cutter.



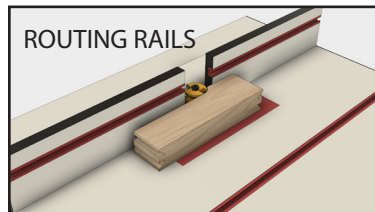
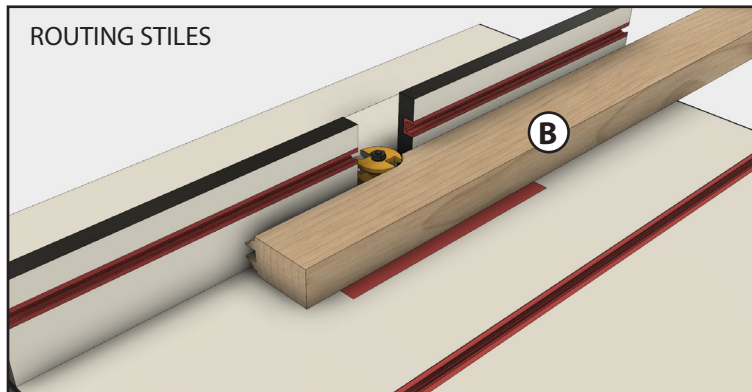
With the rails completed, you can replace the coping bit with the profile cutter. To set the bit height, place one of the coped rails on the router table and adjust the bit until it aligns with the profile in the end of the part.

### Step 5: Position the fence.



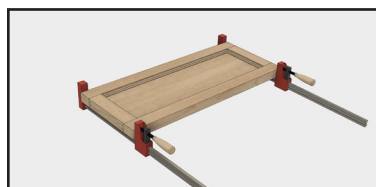
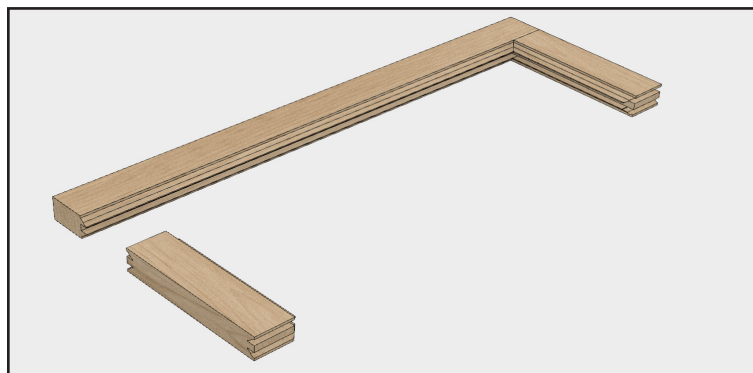
Use a straightedge to set the fence flush with the narrowest part of the profile cutter near the center of the bit and just above the straight cutter. Rotate the bit with your finger until it is perpendicular to the fence. Place the straightedge against the bit and pull the fence forward until it contacts the straightedge. Lock the fence in place.

### Step 6: Route the profile.



Before routing your stock, make a test cut in a piece of scrap the same thickness as your parts. Fit one of the rails with the test piece and adjust the router bit height if necessary. When the joint fits correctly, route the profile in your rails and stiles

### Step 7: Assemble the door.



Cut a flat or raised panel to fit your door. Apply glue to all surfaces of the coped ends of each rail. Insert the rails into one of the door stiles, slide the panel in place and attach the remaining stile.

Clamp the door and let it sit until the glue has dried.